



ECU-B

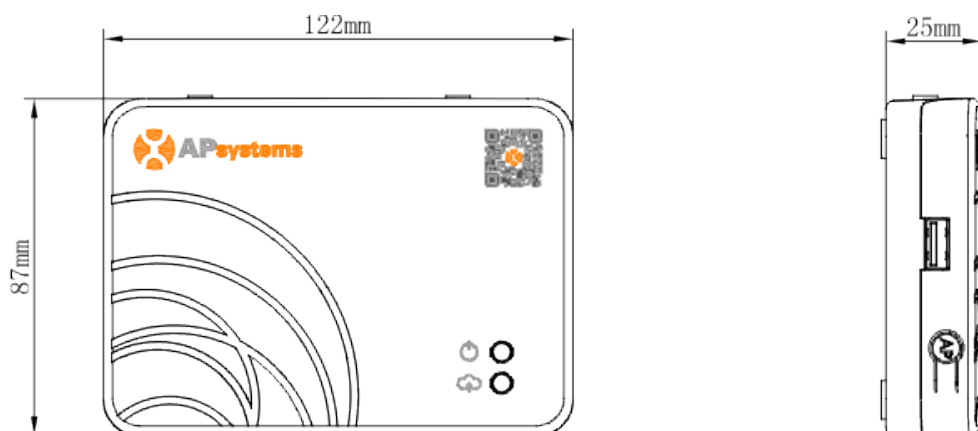
Energy Communication Unit

- Collection and transmission of inverter data
- Real time monitoring of each inverter
- Stable wireless encrypted ZigBee communication with microinverters, built-in Wi-Fi available
- Small size, flexible installation
- Maximum monitoring 4 input channels

PRODUCT FEATURES

The APsystems Energy Communication Unit (ECU-B) is the information gateway for our inverters. ECU-B has been specially developed to monitor small PV systems up to 4 input channels(e.g: 2pcs of DS3 or DS3D, 1pcs of QT2 or QT2D). The unit collects module performance data from each individual inverter and transfers this information to an Internet database in real time, requiring only a single data and power cable. Through the APsystems Energy Monitoring and Analysis software (EMA), the ECU-B gives you precise analysis of each inverter and module in your solar installation from APP. The user-friendly interface lets you access your solar array in seconds.

DIMENSIONS



ECU-B Datasheet

Model

ECU-B

Communication to Microinverter

Communication	ZigBee 2.4 GHz
Maximum Communicating Quantity	4 Input Channels*

Communication to EMA

Wireless	Wi-Fi 802.11g/n /GSM Cellular
Wireless Security	WEP, WPA2-PSK
USB Interface	5Vdc-0.5A Output

Power Date

Power Supply	5V, 2A
Power Consumption	1.7 W

Product Specifications

Frequency Range	2412MHZ-2472MHZ (WIFI), 2405mhz-2480mhz (ZigBee)
RF Output Power (EIRP)	16.56 dbm (WIFI), 9.50 dbm (ZigBee)
Type of Antenna	External antenna
Modulation	DSSS, OFDM
Mode of Operation(Simplex/Duplex)	Duplex

Mechanical Data

Dimensions (W×H×D)	4.8'' x 3.4'' x 0.98'' (122 mm x 87 mm x 25 mm)
Weight	0.33lbs (150g)
Energy Management	-4°F to +149°F (-20°C to +65°C)
Cooling	Nature Convection; No Fans
Enclosure Environmental Rating	Indoor - NEMA 1 (IP20)
Warranty	3 Years Standard

Features

Compliance	IEC 60950-1, EN60950-1, IEC 60529, EN 60529, ANSI/UL 60950-1, CAN/CSA C22.2 No.60950-1, UL50E, FCC part 15, EN61000-6-1, EN61000-6-3, ICES-003, AS NZS 60950-1, GB/T17799
------------	---

*e.g: 2pcs of DS3 or DS3D, 1pcs of QT2 or QT2D.



Please scan this QR code to download our APPs or check the link:
<https://apsystems.com/qr-code/>



© All Rights Reserved
Specifications subject to change without notice - please ensure you are using the most recent update found at www.APsystems.com